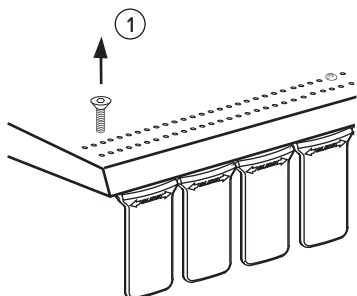
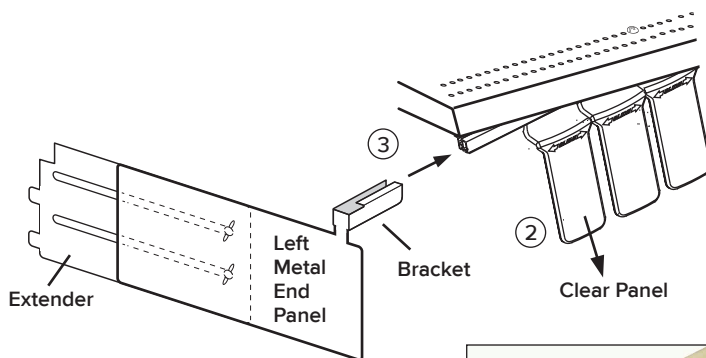
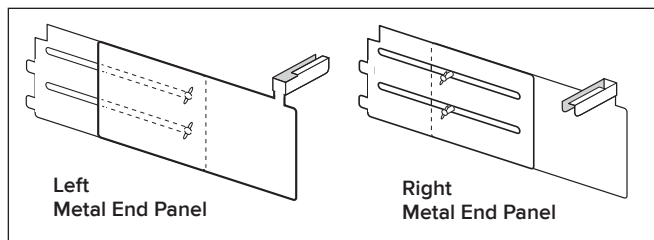
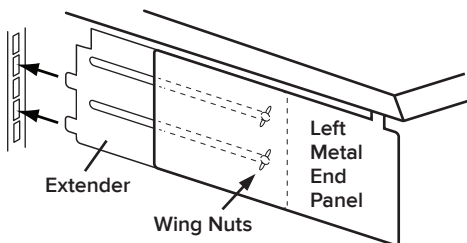
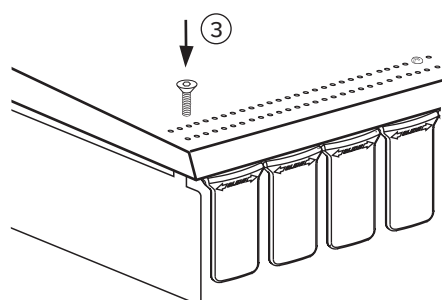


NOTE: Install End Panels when you install the P.O.P. Security™ Invisi-Shield® System.

Install Under-Shelf End Panels



- ① Remove screw from end of shelf.
NOTE: Save Screw for step 4.
- ② At the left end of the Rail, pull down on the clear Panel, bending Rail to access the end of the Rail.
- ③ Slide Left Metal End Panel bracket onto left end of the Rail.

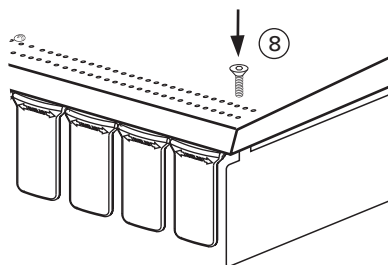


- ⑤ Loosen wing nuts, allowing Extender to slide.
- ⑥ Pull Extender back to fit shelf depth. Insert notches into gondola upright slots. Tighten wing nuts.



Left Metal End Panel and Extender installation is complete.

- ⑦ Repeat steps 1, 2 and 3 for the right side.
- ⑧ Reinstall screw to secure Rail to the shelf.



- ⑨ Loosen wing nuts, allowing Extender to slide.
- ⑩ Pull Extender back to fit shelf depth. Insert notches into gondola upright slots. Tighten wing nuts.

⑪ Installation is complete.

